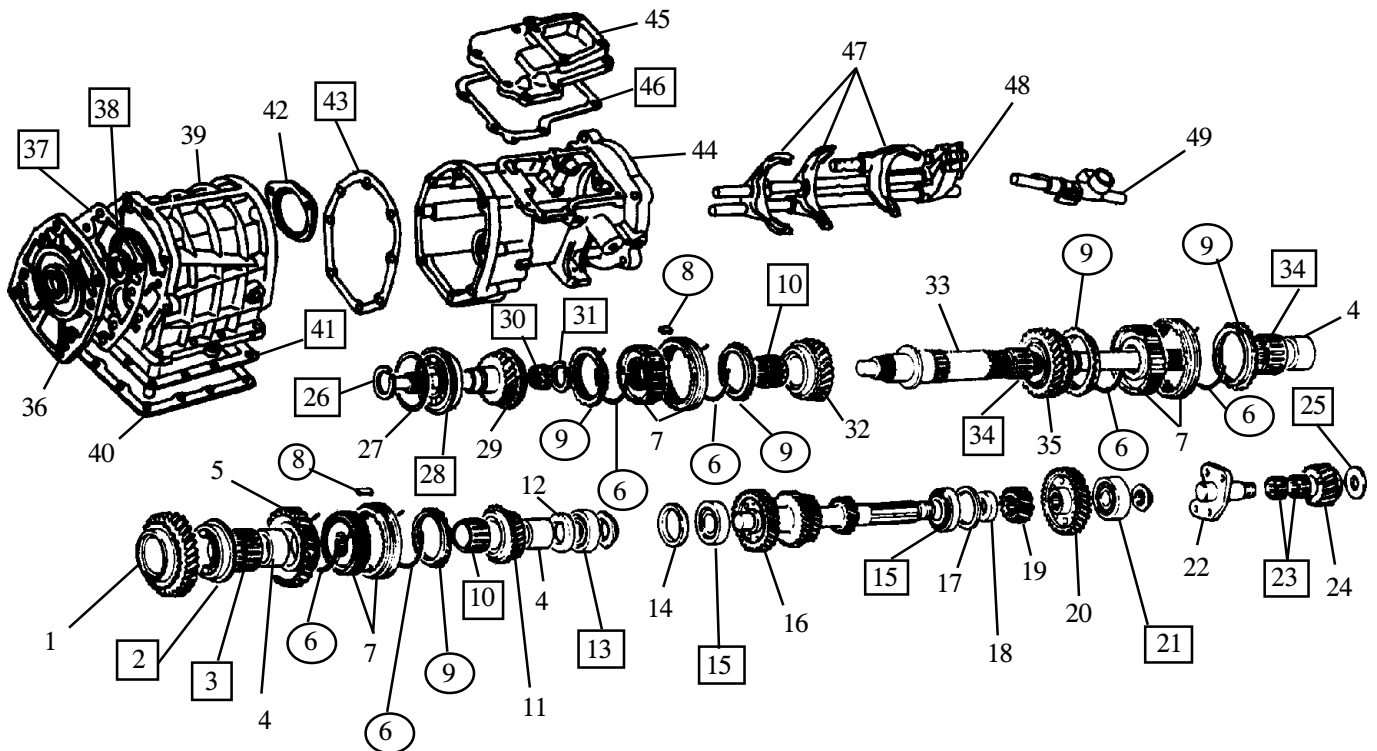


Mitsubishi 5 Speed Transmission

1985-92 V6, 2.9L Bronco II, Explorer, Ranger

1985-87 FM145, 4x4 Only / 1988-92 FM146, 4x2 & 4x4



Part	Index	Description	Notes
F0TZ7100B	1	1st Speed Gear	L35 S42
E5TZ7118A	2	Mainshaft First Gear Bearing	
E5TZ7127A	3	Mainshaft Reverse Bearing	
E5TZ7173B	4	Sleeve - 1st Gear Bearing	
E5TZ7173C	4	Sleeve - 4th Gear Bearing	
E5TZ7173D	4	Sleeve - Reverse Gear Bearing	excluding ID#E57A-KB
E5TZ7173A	4	Sleeve - Reverse Gear Bearing	ID#E57A-KB
E5TZ7142C	5	Reverse Gear	1985-87, 1988-92 ID#E67A-FB L34 S36
E8TZ7142D	5	Reverse Gear	1988-92 I.D.# E87A-AEA
E5TZ7109C	6	Synchro Spring - 1st & 2nd	2 required
E8TZ7109C	6	Synchro Spring - 3rd & 4th	2 required
E5TZ7109A	6	Synchro Spring - 5th & Reverse	2 required
E5TZ7124A	7	Synchro - 1st & 2nd	42 Teeth, 40 Spline
E5TZ7124B	7	Synchro - 3rd & 4th	36 Teeth, 32 Spline
E5TZ7124C	7	Synchro - 5th & Reverse	36 Teeth, 29 Spline
E8TZ7124G	7	Synchro - 5th & Reverse	1988-92 ID#E87A-AEA
E5TZ7A044C	8	Synchro Key - 1st & 2nd	1985-87, 1988-89 ID#E67A-FB
E8TZ7A044B	8	Synchro Key - 1st & 2nd	1988-89 ID#E87A-AEA, 1990-92
E5TZ7A044A	8	Synchro Key - 3rd & 4th	3rd & 4th All 1985-92- 1990-92 3rd,4th,5th & Rev

Part	Index	Description	Notes
E5TZ7A044B	8	Synchro Key - 5th & Reverse	1985-89
MD717528	9	Synchro Ring - 1st	42 Teeth; 15/16" Key-OEM# E5TZ7107C
MD717527	9	Synchro Ring - 2nd	42 Teeth; 1/2" Key- OEM# E5TZ7107B
MD701465	9	Synchro Ring - 3rd, 4th, 5th & Rev	36 Teeth; 1/2" Key- OEM# E5TZ7107A
E5TZ7121A	10	3rd & 4th Needle Bearing	1985-87, 1988-92 ID E67A-FB
E8TZ7121C	10	3rd & 4th Needle Bearing	1988-92 ID E87A-AEA
MB886613	11	5th Speed Gear	L18 S36- OEM# F2TZ7C391A
E5TZ7119A	12	4th Gear Mainshaft Spacer	1985-92
206FF	13	Mainshaft Rear Ball Bearing	1985-92 OEM# E5TZ7R205A
E5TZ7052A	14	Front Countershaft Spacer	1985-92
E5TZ7065A	15	Countershaft Bearing	2 required
E5TZ7113A	16	Countershaft Cluster Gear	R28-24-20-13, 6 Spline - Fits FM145, 1985-87
E8TZ7113C	16	Countershaft Cluster Gear	R28-24-19-13, 6 Spline - Fits FM146, 1988-92
E5TZ7N112A	17	Selective Spacer	1.84mm Thick
E9TZ7115B	18	Countershaft Reverse Spacer	
E5TZ7N040A	19	Countershaft Reverse Gear	R14 Teeth - Fits FM145-146
MB886616	20	Countershaft Overdrive Gear	R31 Teeth - Fits FM145-146-OEM#F2TZ7C391A
E5TZ7D283A	21	Countershaft Rear Bearing	1985-92
E5TZ7140A	22	Reverse Idler Shaft	1985-92
E5TZ7E139A	23	Reverse Idler Bearing (2 Req)	
E5TZ7141A	24	Reverse Idler Gear	17 Teeth - Fits FM145-146
E5TZ7N037A	25	Thrust Washer	
E5TZ7030A	26	Selective Snap Ring	2.30 mm
E5TZ7029A	27	Selective Spacer	.84mm Thick
E5TZ7025A	28	Input Shaft Bearing	1985-92
E5TZ7017A	29	Input Shaft	10 1/4" OL, L19 S36 23 Spl-1985-87,89-92 E67A-FB
E8TZ7017D	29	Input Shaft	10 1/8" OL, L20 S36 23 Spl - 88-92-ID#E87A-AEA
E5TZ7120A	30	Input Shaft Bearing	1985-87 All, 1988-89 ID# E67A-FB
E8TZ7120D	30	Input Shaft Bearing	1988-89 ID# E87A-AEA, 1990-92 All
E5TZ7N252A	31	Selective Snap Ring	2.15mm Thick
E5TZ7101A	32	3rd Speed Gear	L24 S36 - 1985-87, 1988-92 ID# E67A-FB
E8TZ7101C	32	3rd Speed Gear	L26 S36 - 1988-92 ID# E87A-AEA
E5TZ7061B	33	Mainshaft- 17 7/8" OA	25 Spl-FM145 85-87,88-89 ID#E67A-FB
E8TZ7061G	33	Mainshaft- 20.5" OA	25 Spl-FM146 88-89 ID#E87A-AEA,90-92 4x2
FOTZ7061C	33	Mainshaft	1990-92 4x4
E5TZ7133A	34	Mainshaft Needle Bearing	1985-92
E5TZ7102A	35	2nd Speed Gear	L29 S42- 1985-87 All, 1988-92 ID#E67A-FB
E8TZ7102C	35	2nd Speed Gear	L30 S42- 1988-92 ID#E87A-AEA
E5TZ7050A	36	Front Bearing Retainer	Fits FM145 - 1985-87 All, 1988-92 ID#E67A-FB
E8TZ7050C	36	Front Bearing Retainer	Fits FM146 - 1988-92 ID#E87A-AEA
E5TZ7051A	37	Front Bearing Retainer Gasket	1985-92
E5TZ7052A	38	Front Input Seal	
E5TZ7005A	39	Transmission Case	Fits FM145 - 1985-87 All, 1988-92 ID#E67A-FB
E8TZ7005E	39	Transmission Case	Fits FM146 - 1988-92 ID#E87A-AEA
FOTZ7165A	40	Oil Pan	
E5TZ7166A	41	Oil Pan Gasket	
FOTZ7085A	42	Rear Bearing Retainer	
E5TZ7086A	43	Extension Housing Gasket	
E5TZ7A039A	44	Extension Housing	1985-89 ID#E57A-KB
E5TZ7A039J	44	Extension Housing	1985-89 ID#E57A-KC,E67A-FA,FB
E8TZ7A039G	44	Extension Housing	1985-89 ID#E87A-AEA
FOTZ7A039C	44	Extension Housing	1990-92 4x2
E8TZ7A039M	44	Extension Housing	1990-92 4x4

Part	Index	Description	Notes
E5TZ7203A	45	Top Cover	Fits FM145 - 1985-89 ID#E57A-KB
E5TZ7203B	45	Top Cover	Fits FM146 - 1985-89 ID#E57A-KC,E67A-FA,FB
E8TZ7203A	45	Top Cover	1985-89 ID#E87A-AEA, 1990-92 4x4
F0TZ7203A	45	Top Cover	1990-92 4x2
E5TZ7185A	46	Top Cover Gasket	FM145 1985-87 All, 1988-89 ID#E67A-FB
E8TZ7185A	46	Top Cover Gasket	FM146 1988-89 ID#E87A-AEA, 1990-92 4x4
F0TZ7185A	46	Top Cover Gasket	1990-92 4x2
E5TZ7230A	47	Shift Fork - 1st & 2nd	Fits All FM145-146 - 1985-87, 1988-92 ID#E67A-FB
E8TZ7230C	47	Shift Fork - 1st & 2nd	1988-92 ID#E87A-AEA
E5TZ7289A	47	Shift Fork - 3rd & 4th	Fits All FM145-146 - 1985-92
E5TZ7231A	47	Shift Fork - 5th & Reverse	Fits All FM145-146 - 1985-92
E5TZ7240A	48	Shift Rail - 1st & 2nd	Fits All FM145-146 - 1985-87, 1988-92 ID#E7A-FB
E8TZ7240D	48	Shift Rail - 1st & 2nd	1988-92 ID#E87A-AEA
E5TZ7241A	48	Shift Rail - 3rd & 4th	Fits All FM145-146 - 1985-87, 1988-92 ID#E67A-FB
E5TZ7242A	48	Shift Rail - 5th & Reverse	Fits All FM145-146 - 1985-87, 1988-92 ID#E67A-FB
E8TZ7242C	48	Shift Rail - 5th & Reverse	1988-92 ID#E87A-AEA
E5TZ7243A	48	Shift Control Shaft	1985-89 ID#E57A-KB
E5TZ7243B	49	Shift Control Shaft-10.5" Tail Hsg	FM145 1985-89 ID#E57A-KC,E67A-FA,FB
E8TZ7243G	49	Shift Control Shaft-13" Tail Hsg	FM146 1990-92 4x4 Only 1985-89 ID#E87A-AEA
F0TZ7243A	49	Shift Control Shaft	Fits FM132 1990-92 4x2 Only
990005	NI	Gasket Compound	
990003	NI	Loctite	
GS50DF-55	NI	Gasket Set	
T50DF	NI	Bearing Kit	Consists of Bearings and Seals